



## Installation Instructions

### Surface Mount

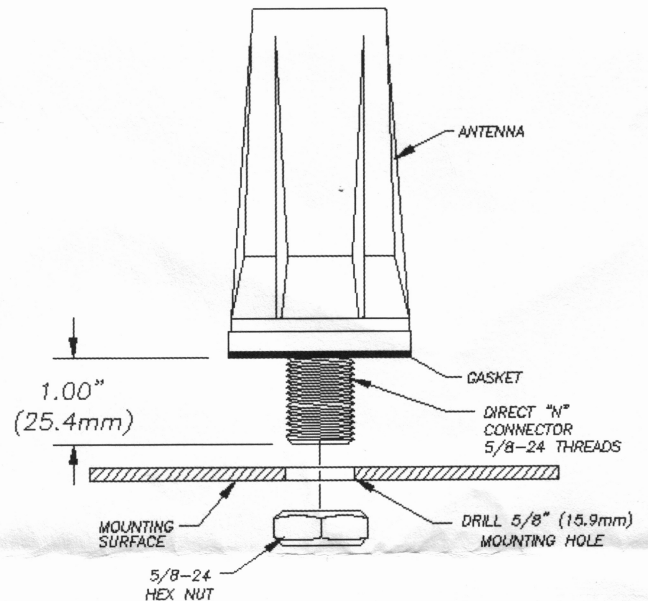
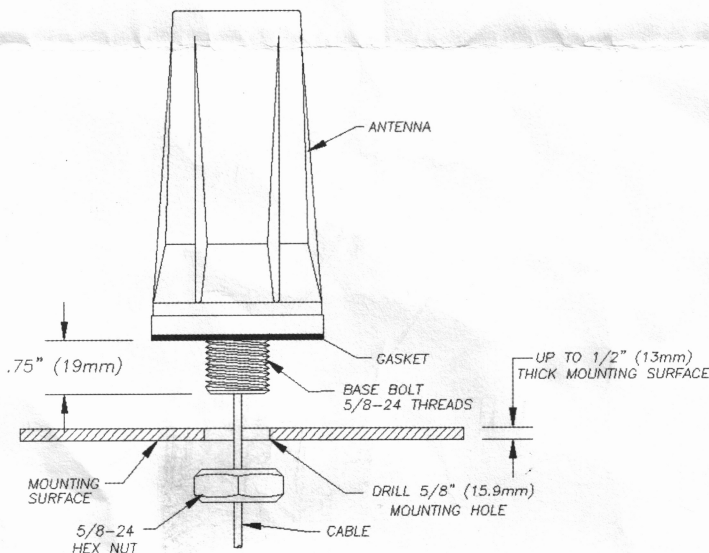
Models Covered: RM, RM3 & RMM

### Installation Guidelines

The RM series of antennas are supplied with all the necessary mounting hardware and a sealing gasket. Access to the underside of the body surface is required to complete the installation. For antennas operating at 960 MHz or below the use of a 1 sq-ft (30cm<sup>2</sup>) metal mounting area is recommended.

### Installation Steps

All of the RM Series of antennas have a 5/8 inch (16mm) Base Bolt and can be mounted on to surfaces up to 1/2 inch (12.7mm) thick. This applies regardless of whether or not the antenna has a single cable exiting the antenna (drawing below) or has a Direct N-Jack (Female) Connector built in to the base of the antenna (drawing in next column). The Direct N Jack will have part numbers ending in "-DN".



To mount the antennas a 5/8 inch (16mm) hole must be drilled or punched into the surface. Make sure the mounting surface is clean.

To install either antenna, remove the Hex Nut from the Base Bolt, seat the antenna through the hole (taking care to feed the cable through the hole if necessary) and then reattach the Hex Bolt. Use a torque wrench to tighten the Hex Nut to 5 ft-lbs (6.7Nm) maximum. Use a jumper cable with an N Male connector attached or the supplied cable from the antenna base to connect to your equipment.

The attached gasket provides a seal to prevent moisture from entering the vehicle. For uneven surfaces, silicone may be added around the base of the antenna.

Cable assemblies & accessories are available from Mobile Mark

### WARRANTY

Mobile Mark, (Seller) warrants to Buyer that the products for a period of two years from the date of shipment will be free from defects of material and workmanship, and will be in accordance with specifications referred to herein. Seller's sole obligation under these warranties will be limited to either, at Seller's option and expense, repairing, or furnishing a replacement F.O.B. First point of shipment for the products or parts thereof which Seller reasonably determines do not conform with these warranties, and Buyer's exclusive remedy for breach of any of such warranties will be enforcement of such obligations of Seller. THE FOREGOING WARRANTIES ARE EXCLUSIVE AND IN LIEU OF ALL OTHER WARRANTIES OF MERCHANTABILITY, FITNESS FOR PURPOSE AND OF ANY OTHER TYPE, WHETHER EXPRESS OR IMPLIED. IN NO EVENT SHALL SELLER BE LIABLE FOR CONSEQUENTIAL DAMAGES, nor shall Seller's liability on any claims for damages arising out of or connected with the sales contract for the manufacture, sale, delivery or use of the products exceed the purchase price of the products. Any action for breach of warranty must be commenced within one year after the cause of action accrues.