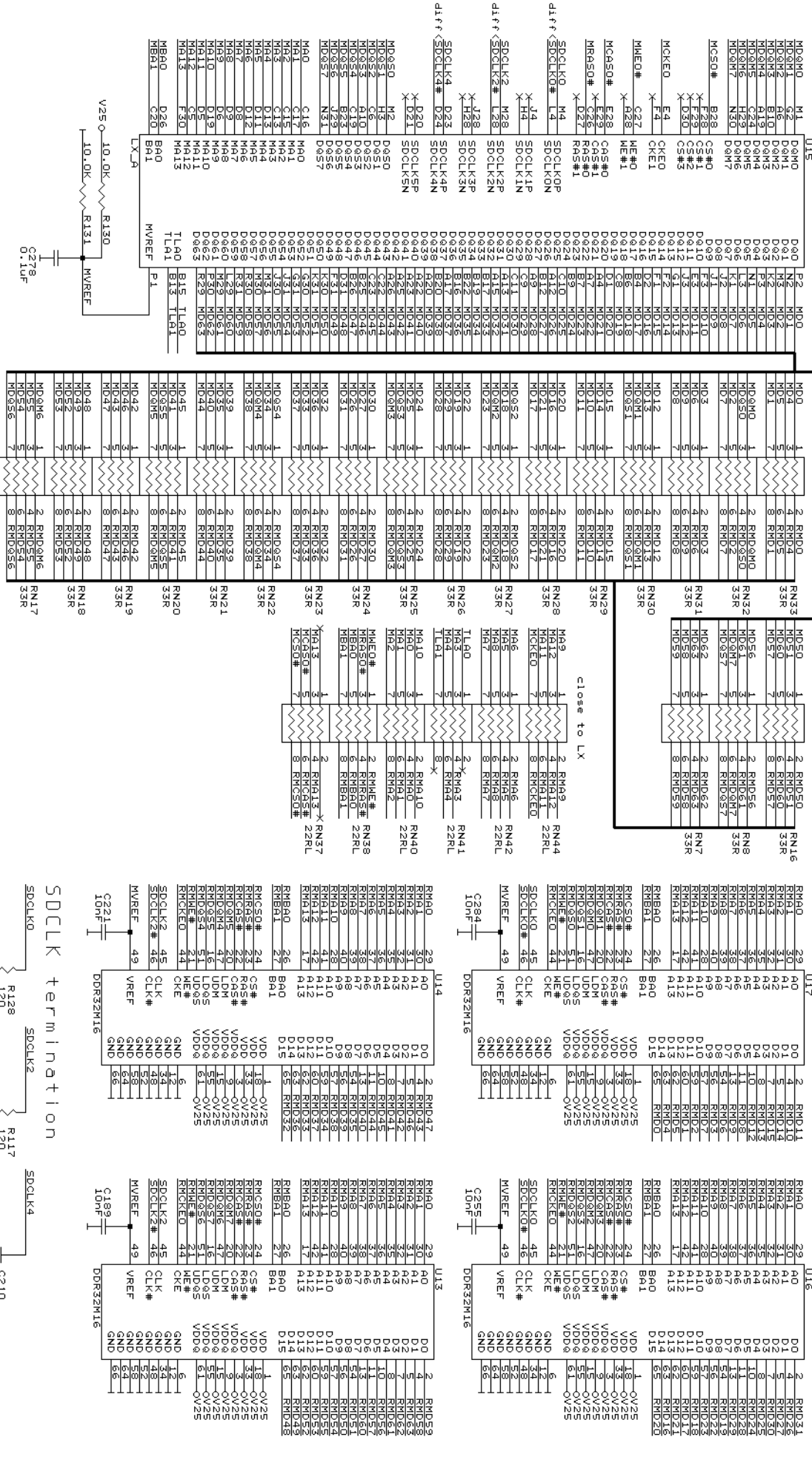
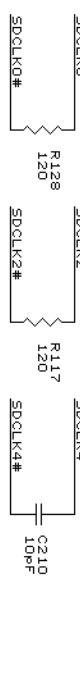


LX memory controller

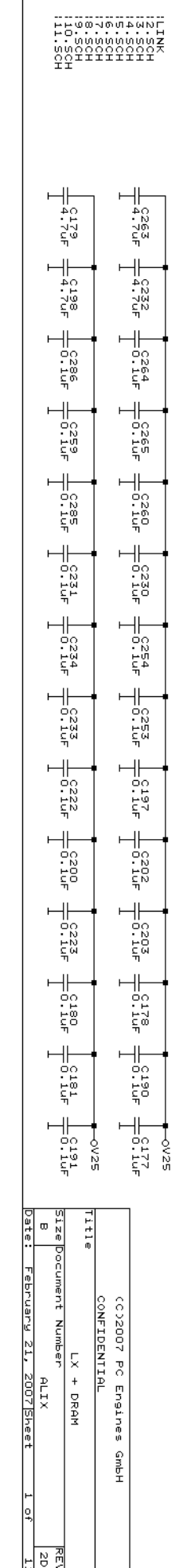
128MB or 256MB DDR DRAM (PC400)



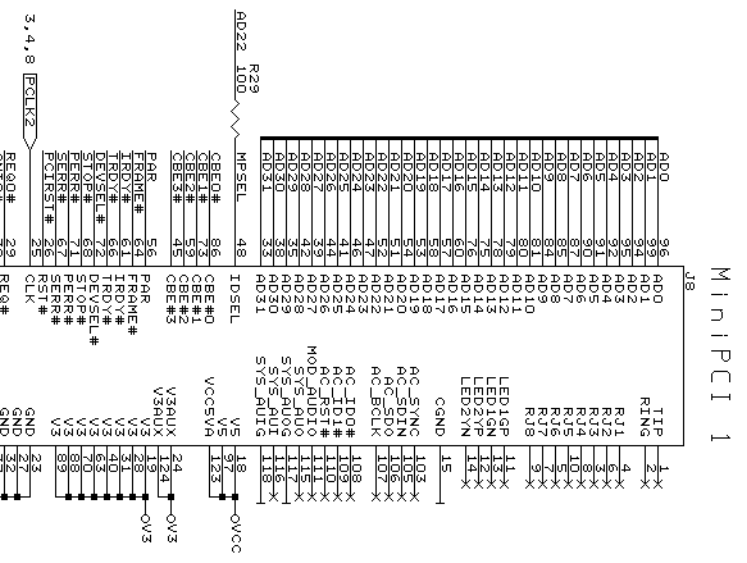
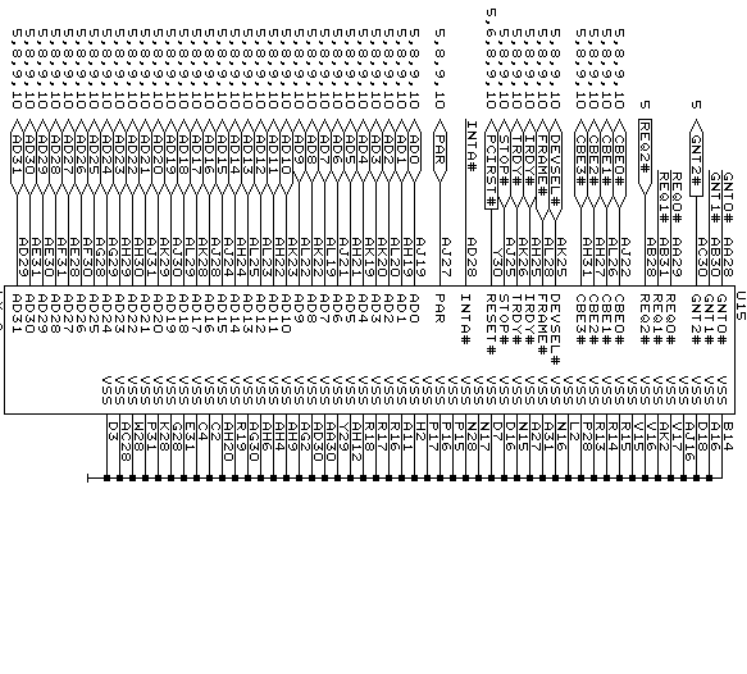
SDCLK termination



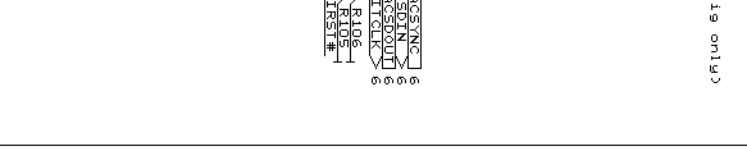
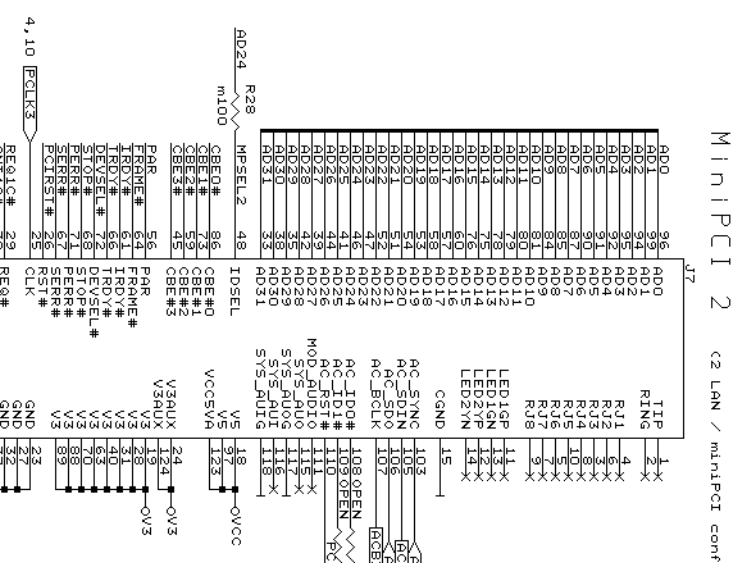
SDCLK1, SDCLK3, SDCLK5 disabled by BIOS - don't need 10pF



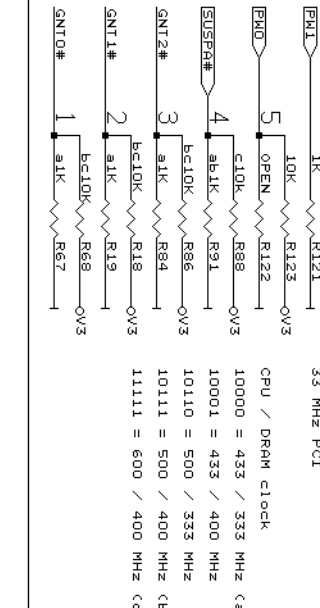
MiniPCI 1



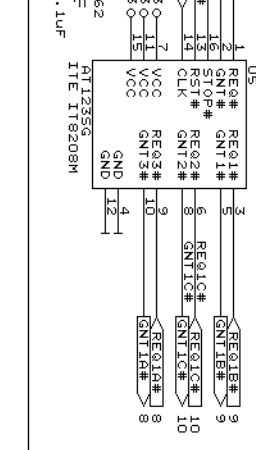
MiniPCI 2



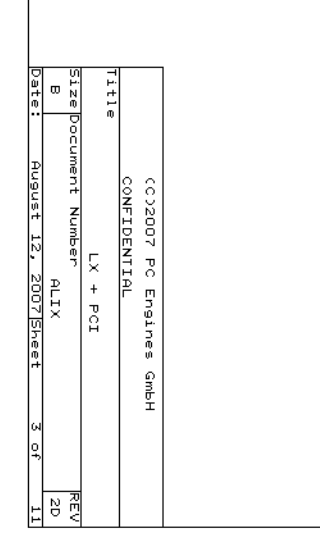
core / DRAM clock config



PCI arbiter



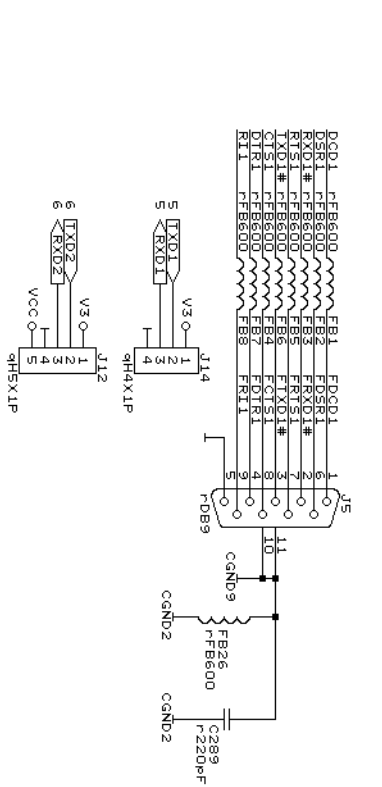
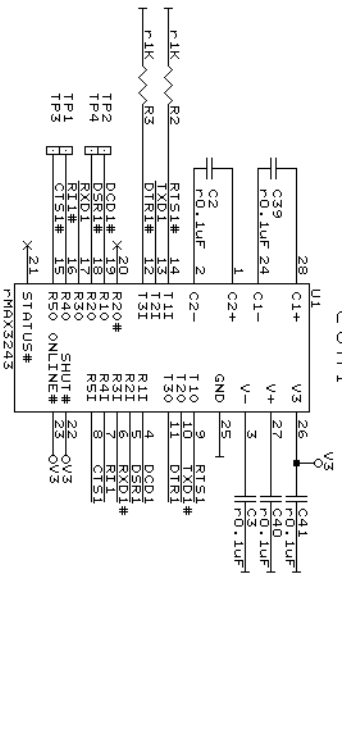
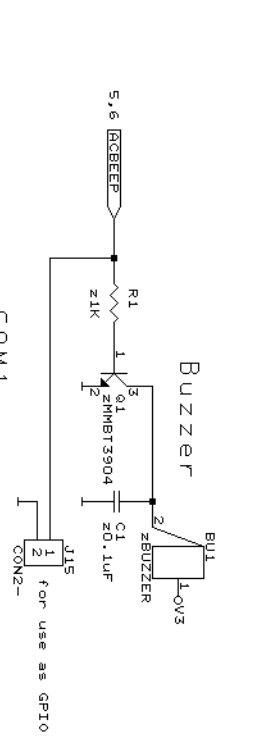
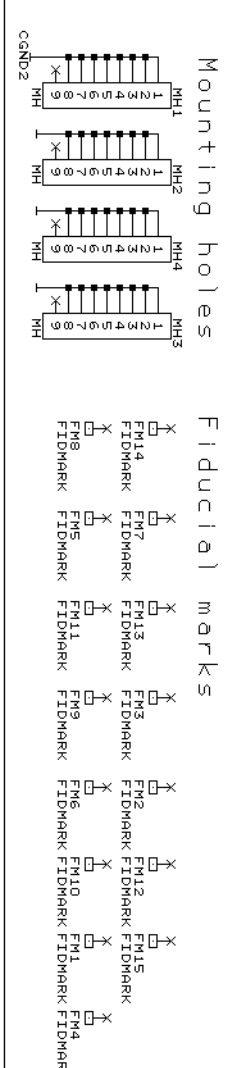
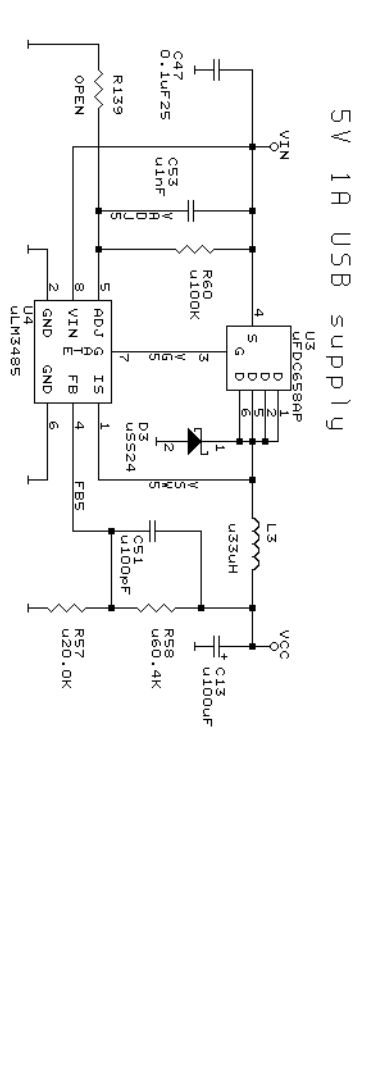
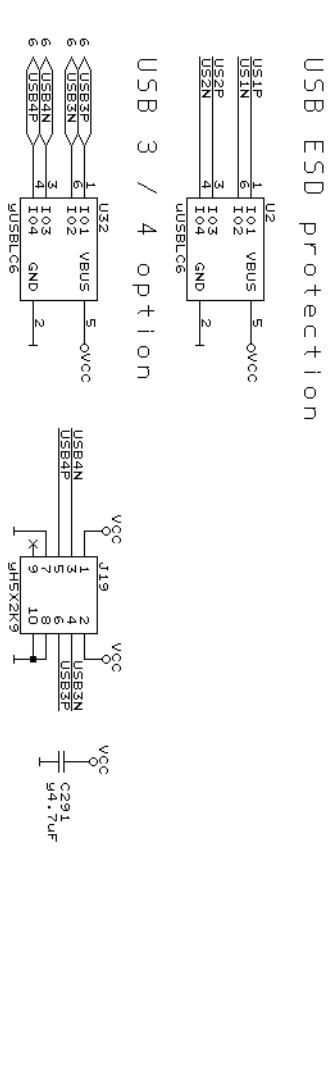
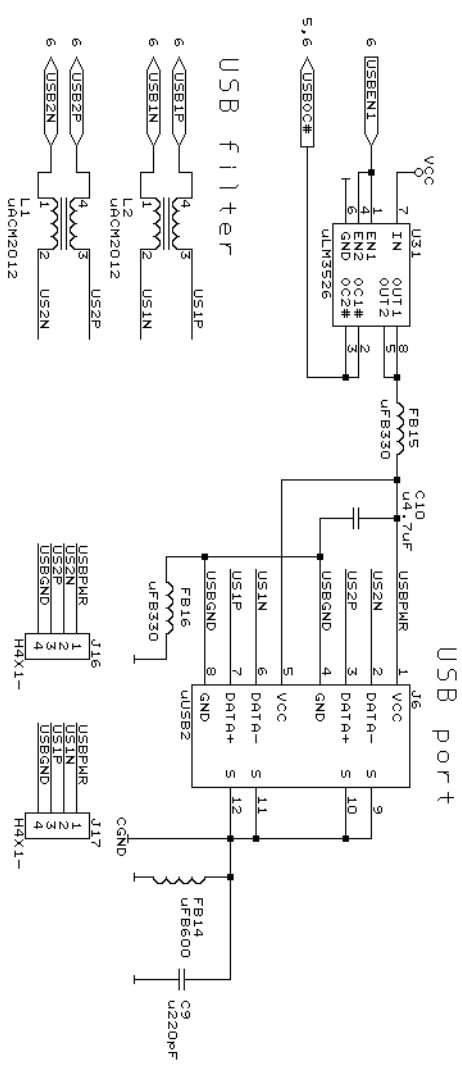
core / DRAM clock config



Title		LX + PCI	
Size/Document Number		ALIX	
Date:		August 12, 2007/Sheet 3 of 11	
REV		20	

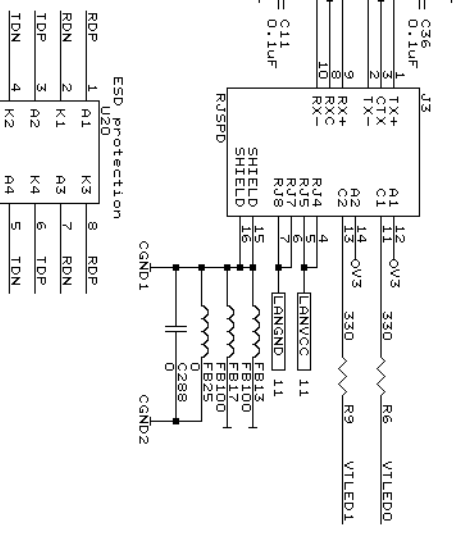
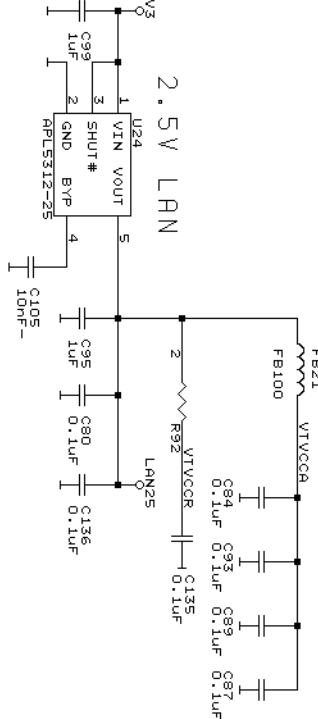
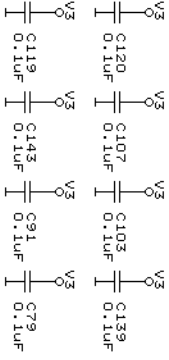
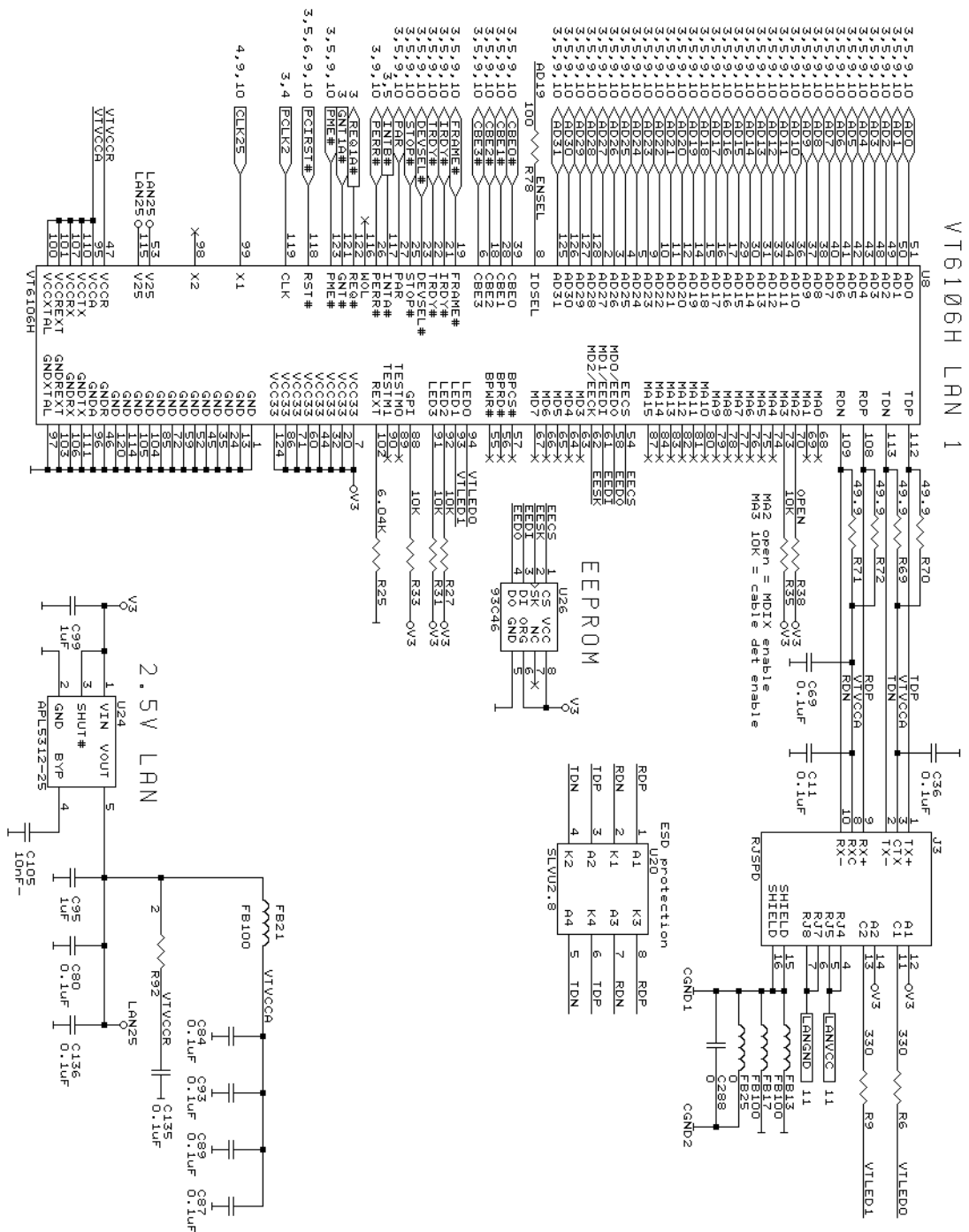
CONFIDENTIAL

©2007 PC Engines GmbH

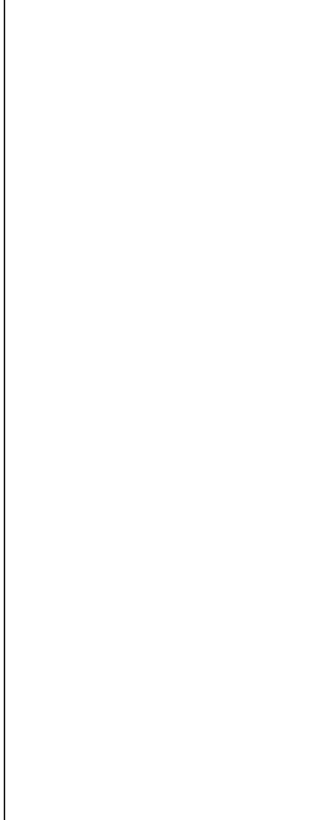
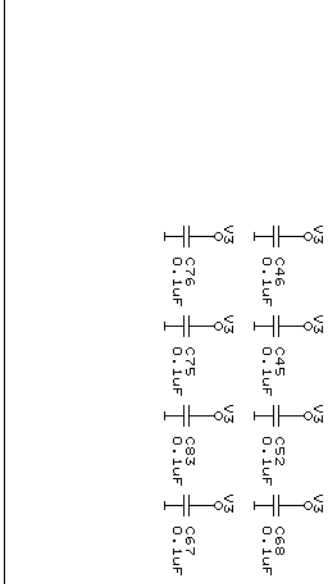
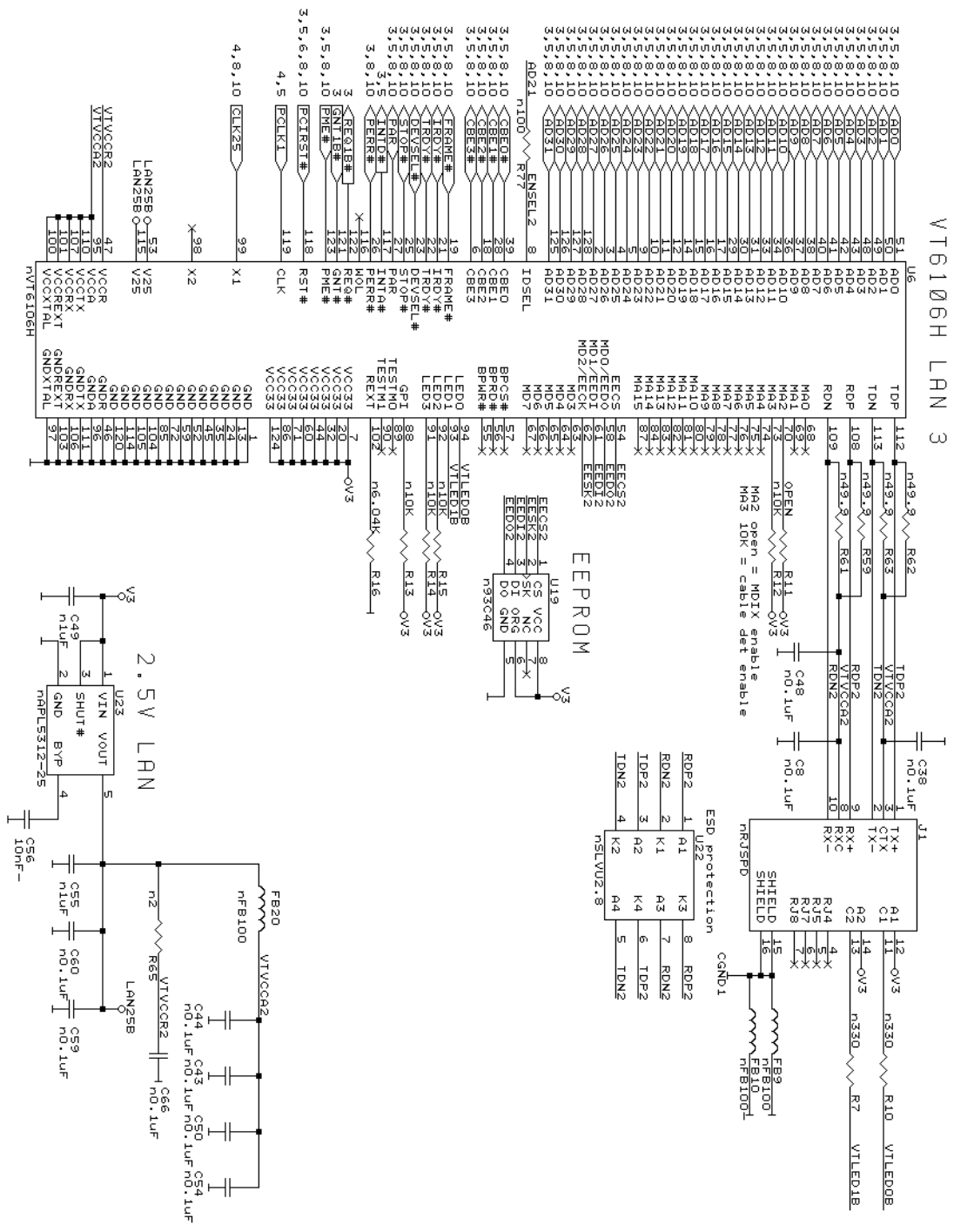


CC12007 PC Engines GmbH
CONFIDENTIAL
USB, front panel
Size Document Number ALIX
Date: June 31, 2008 Sheet 7 of 11
REV 20

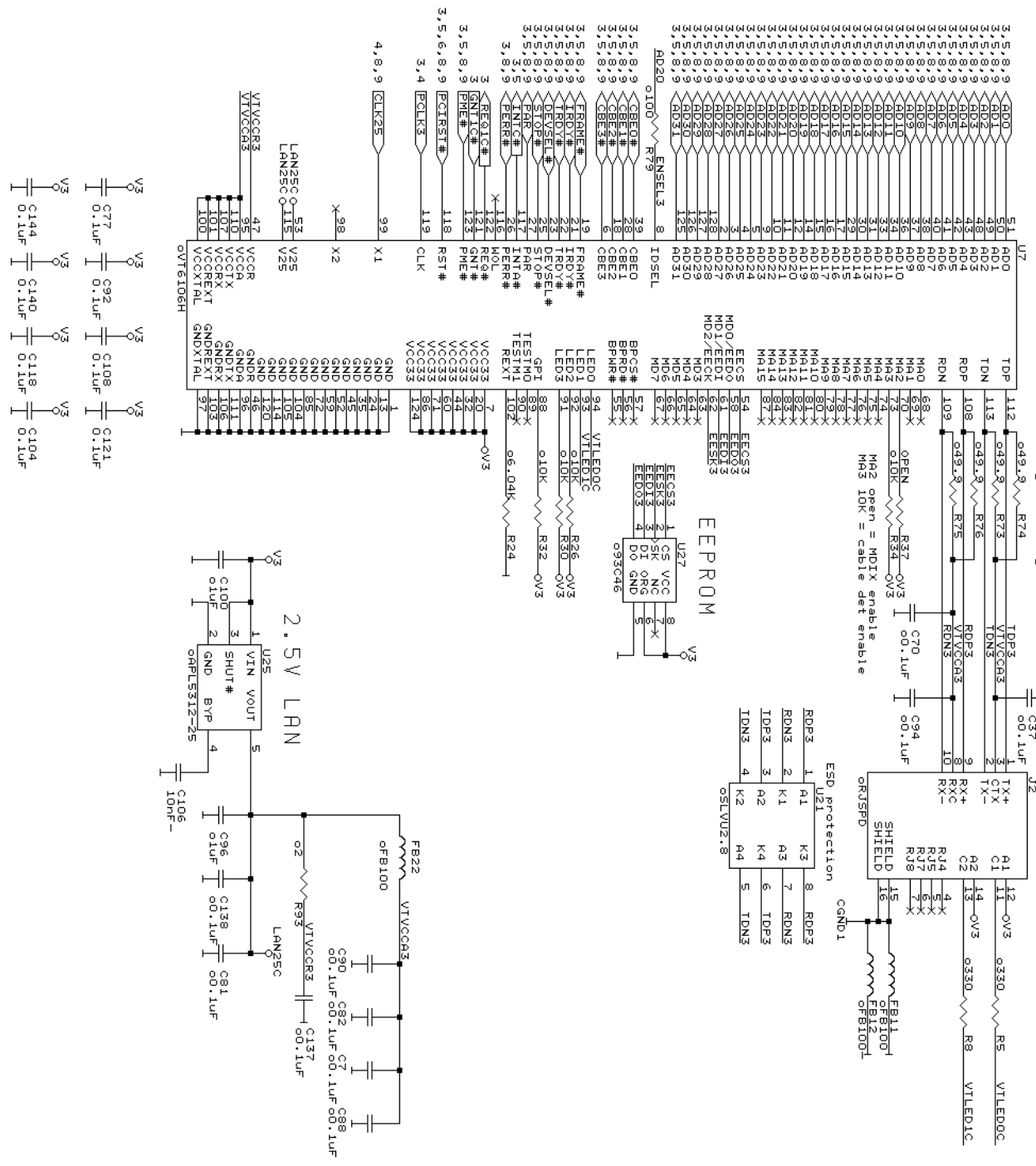
VT6106H LAN 1



VT6106H LAN 3



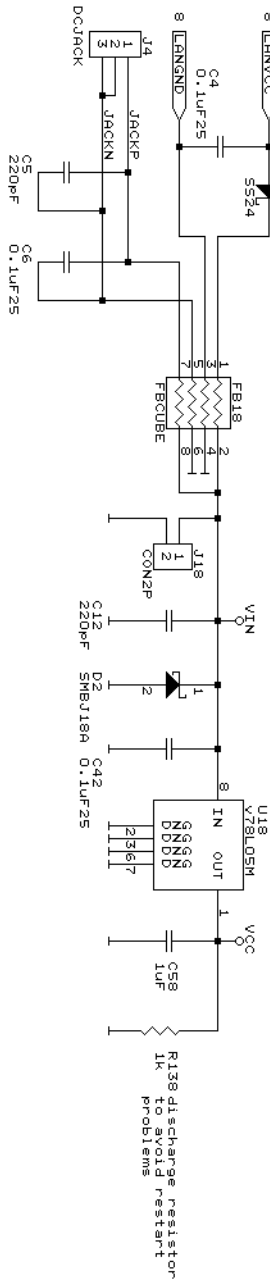
VT6106H LAN 2 (3 LAN config only)



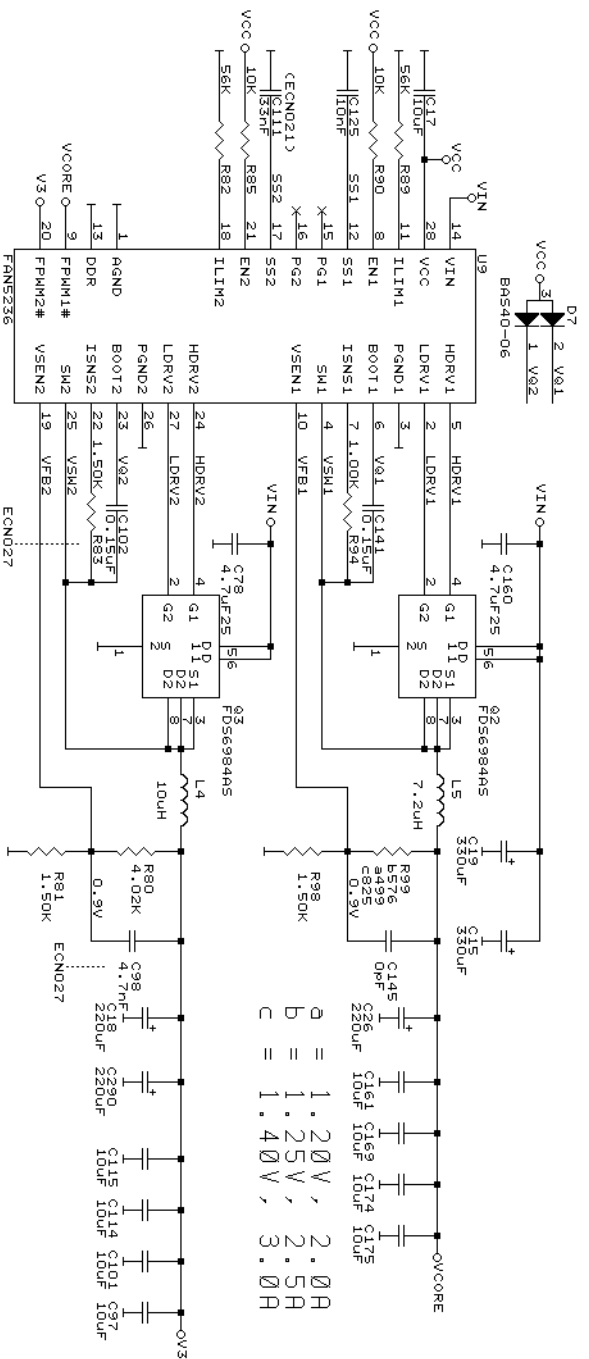
Power input +7..20V

5V bias

(also see alternative on sheet 7)

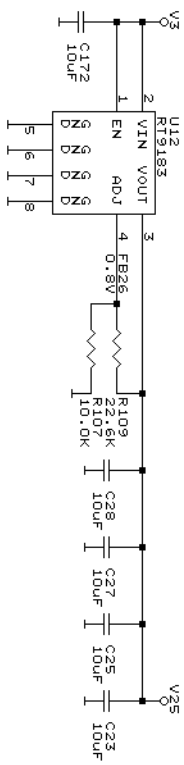


VCORE, V3 regulator

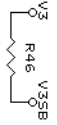


a = 1.20V, 2.0A
 b = 1.25V, 2.5A
 c = 1.40V, 3.0A

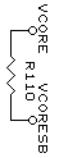
2.6V DDR supply



3.3V standby



1.2V standby



CC12007 PC Engines GmbH	
CONFIDENTIAL	
Title	Power supply
Size	Document Number
B	ALIX
Date:	June 2, 2008 Sheet 11 of 11
REV	20