



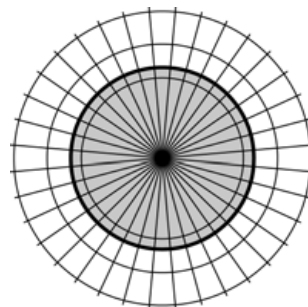
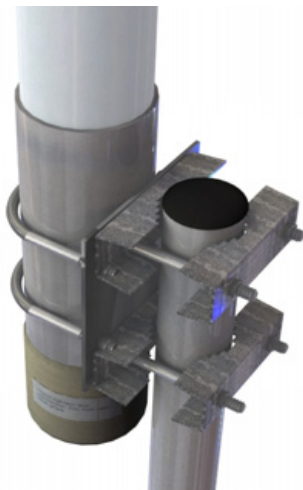
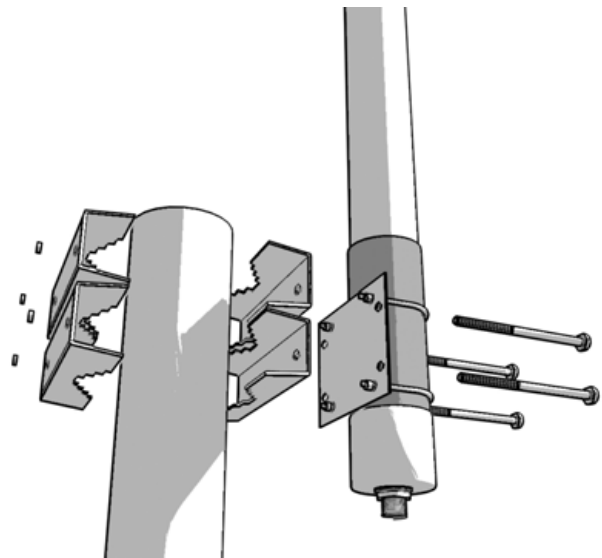
# Fibreglass Omni antenna Gain 8 dBi



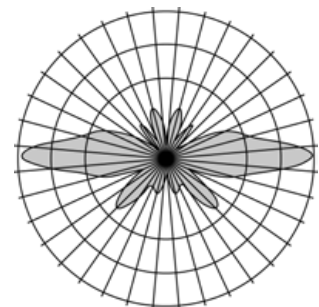
- Fibreglass Radome for maximum durability
- Guaranteed no up tilt radiation
- Strong pole brackets included
- Economically priced
- Individually tested
- Aluminum parts
- Vertical polarization
- 8 dBi Antenna gain
- Type N Female connector
- Designed for professional users
- Super strong heavy duty housing

## Specifications

Frequency Range	2400 - 2485 MHz
Gain	8 dBi
VSWR	1:1,8
Impedance	50 OHM
Input Power	50W
Azimuth beam width	360 degree
Elevation beam width	17 Degree
Used materials	Fibreglass, aluminium PVC, galvanized steel
Max. wind speed	216 km/u
Weight	1,15 Kg incl. brackets
Dimension (Dia. x Length)	(43mm x 710mm)



*Azimuth radiation pattern*



*Elevation radiation pattern*

